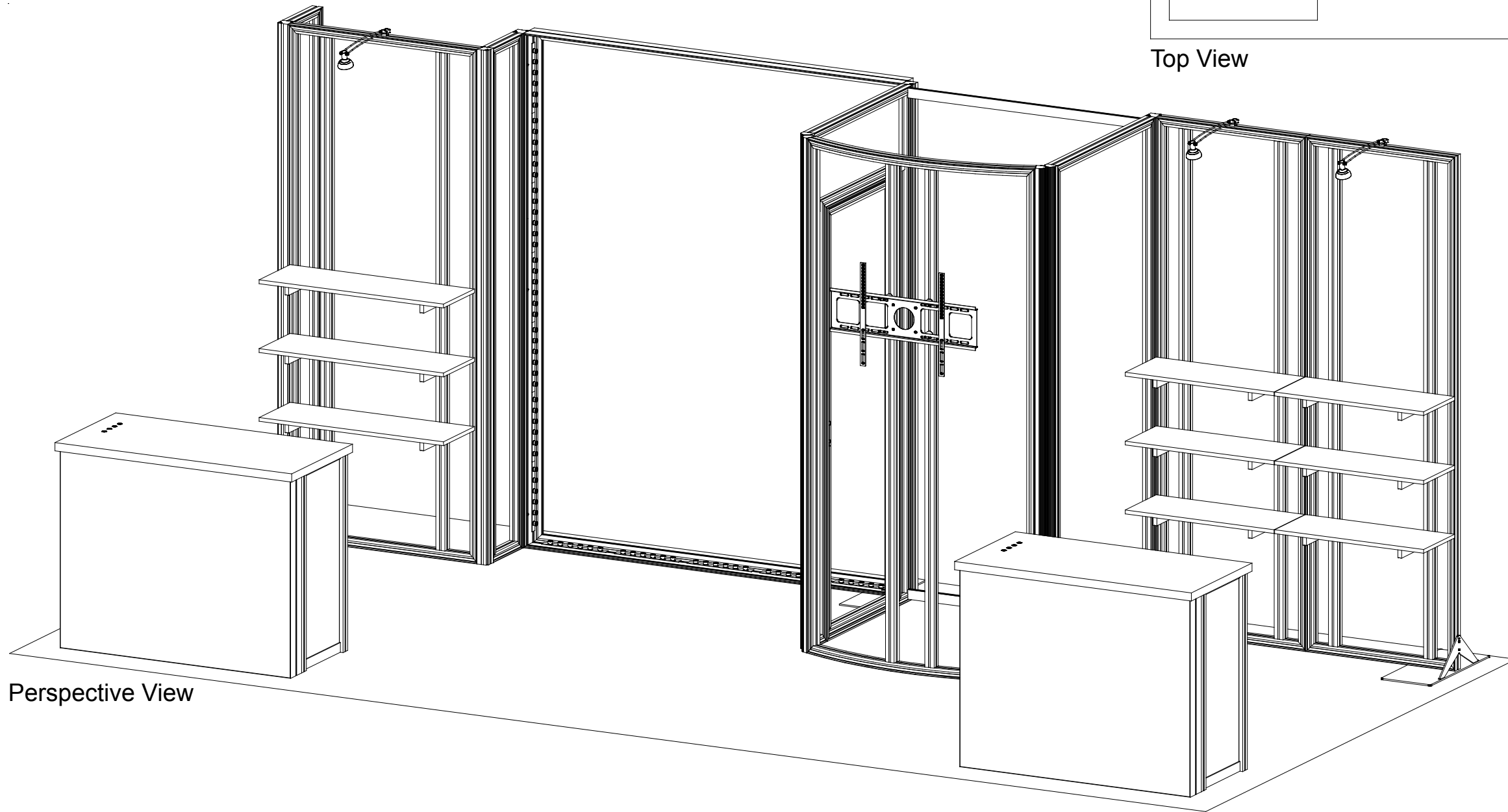
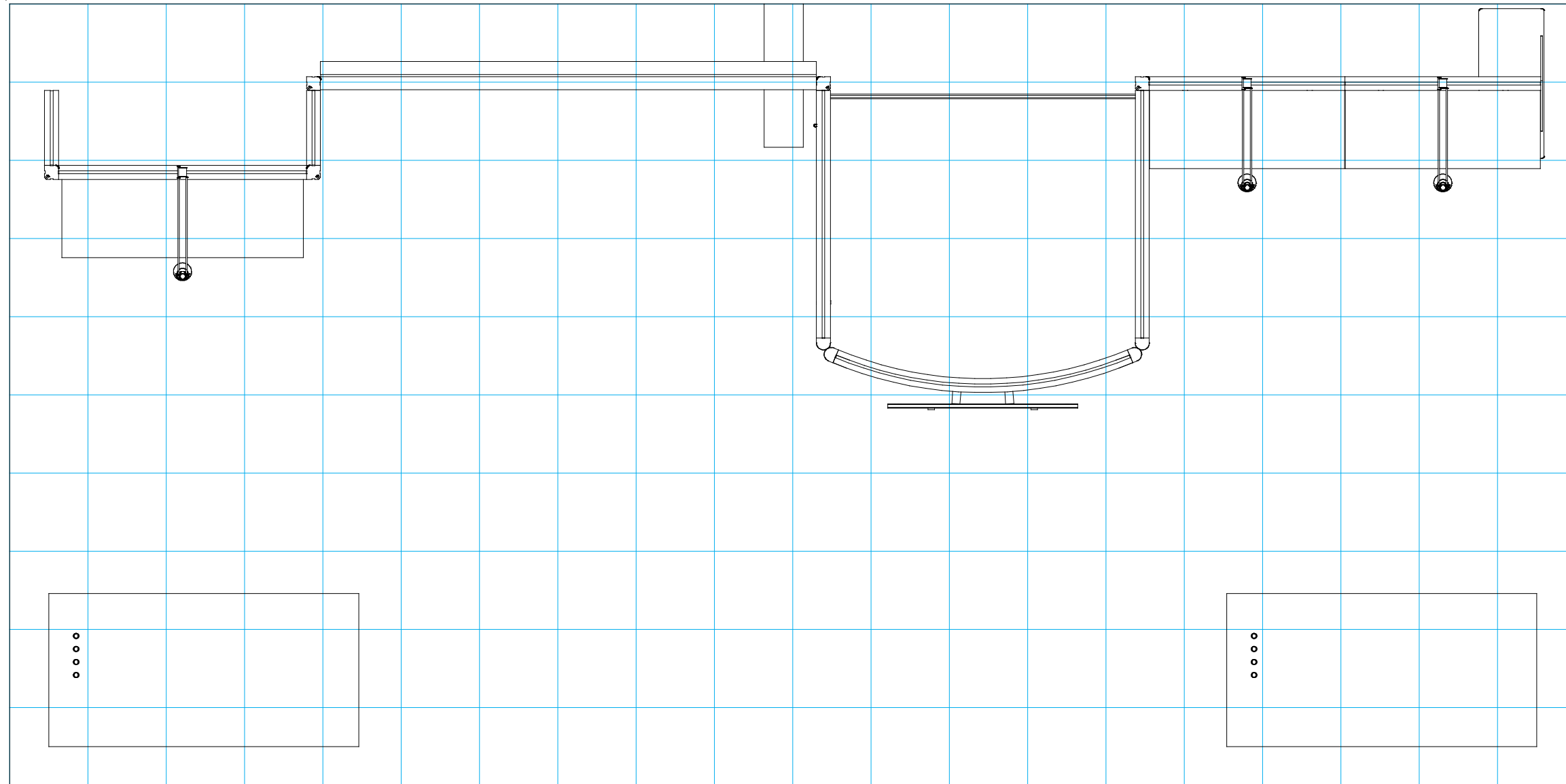



Top View



Perspective View

SETUP INSTRUCTIONS



 = 1 sq foot

General Setup Instructions

- Read entire setup instruction manual prior to unpacking parts and pieces.
- The setup instructions are created specifically for this configuration.
- Setup instructions are laid out sequentially in steps, including exploded views with detailed explanation for assembly.

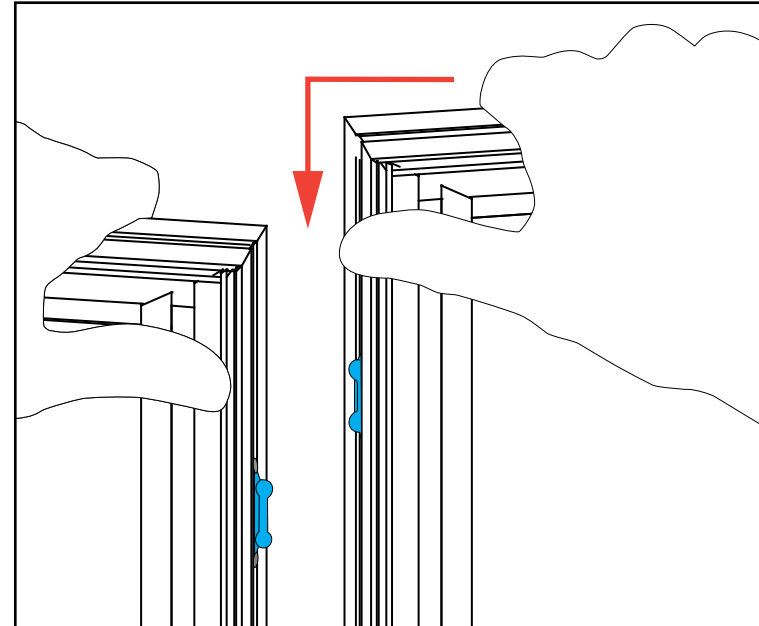
Cleaning & Packing

- For Cleaning Metal, Plex, & Laminate Parts: Use a **MILD NON-ABRASIVE** cleanser and soft cloth/paper towel to clean all surfaces.
- Keep exhibit components away from heat and prolonged sun exposure. **Heat and UV exposure will warp and fade components.**
- Retain all provided Packing Materials. All provided packing materials are for ease of repacking & component protection.

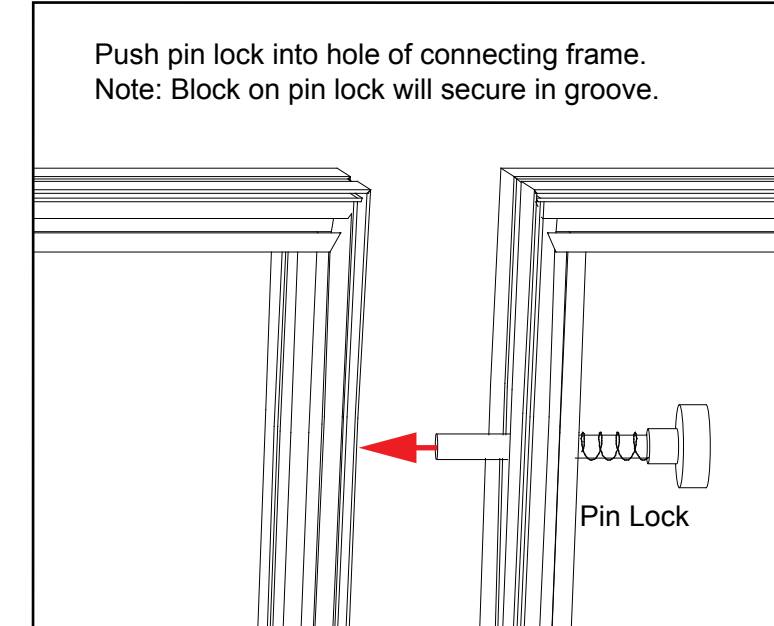
Disassembly

- For loss prevention, tighten all set screws and locks during disassembly.

Assembly



Assembly Cont'd



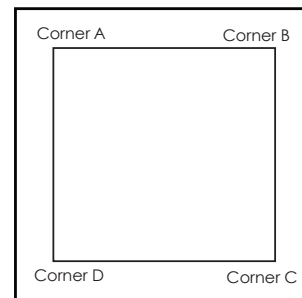
Side-by-Side Assembly

- 1) Frames: Place frames side-by-side with one higher than the other, then slide panel down to lock panels securely together.
- 2) Corner Connectors: Repeat Step 1 for installing corner connectors to frames.

Side-by-Side Disassembly

- 1) Pull pin lock outwards to disengage.
- 2) Pull frames upward and apart at the same time to detach.

SEG Graphic Installation



It is important to first insert graphic into each alternate corner, then to the sides of the frame. If this is not done, graphic will not fit into the frame correctly.



Step 1
Insert corner A. Turn edge of graphic so silicon welt is perpendicular to face of graphic. Insert narrow side of welt with fabric to outside into the channel. Repeat for other side of this corner.



Step 2
Repeat Step 1 for opposite corner C, then insert corner B, followed by corner D, to complete the installation of the corners.



Step 3
Once all corners are inserted, press one silicon edge into channel from corners and work toward the center. Make sure welt is fully inserted into channel. Continue until all sides are done. Smooth out edges of graphic.



Graphic Removal

To remove the graphic from the frame, locate the fabric pull tab. Gently pull up on the tab to remove the fabric.

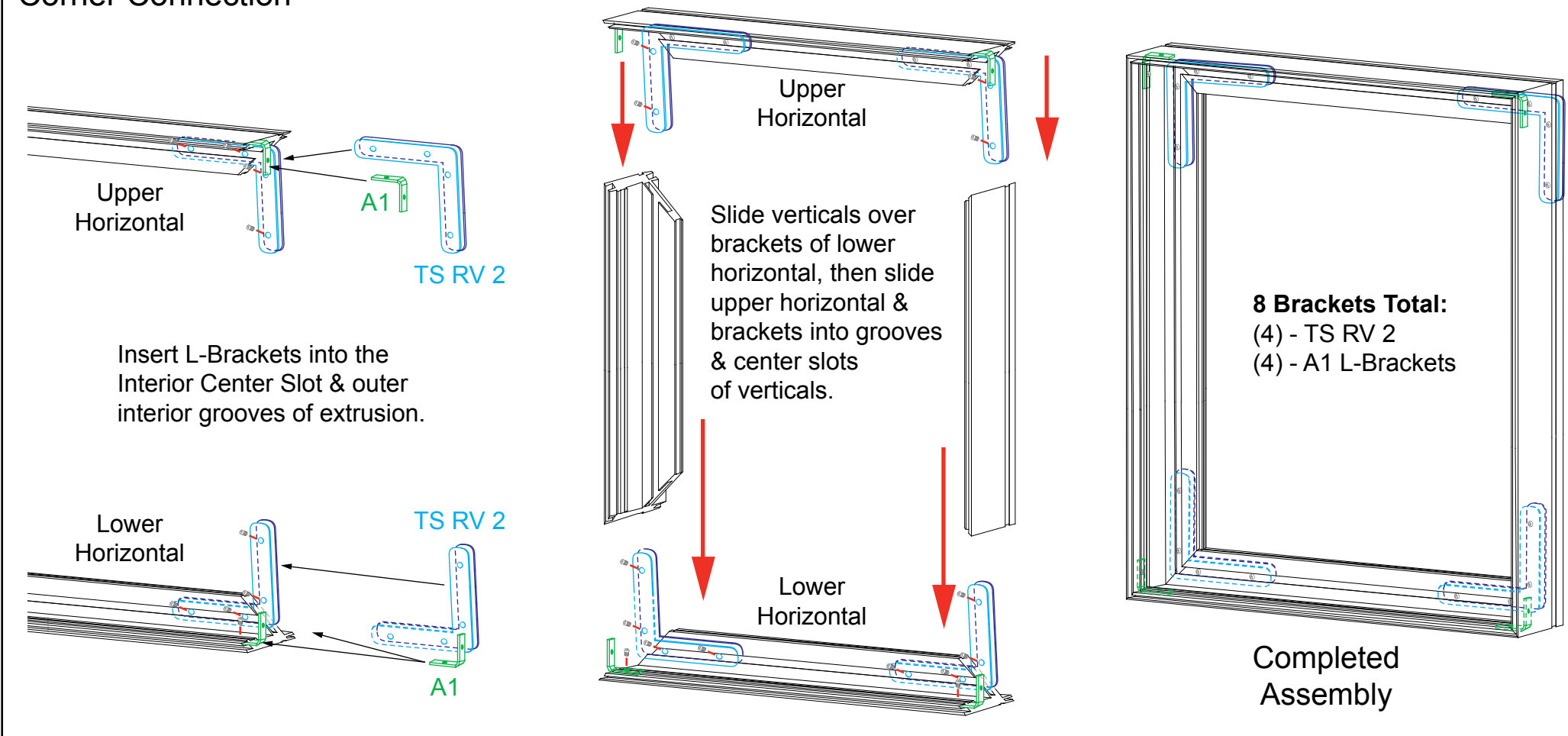
Corner Bracket Assembly

- 1) Slide TWO-PIECE **TS RV 2** L-bracket into Interior Center Slot of extrusion so that two set screws are inside groove. Tighten two set screws to secure.
- 2) Slide one **A1** L-Bracket into outer interior grooves of upper and lower horizontals. Tighten set screws to secure.
- 3) Slide vertical extrusion over exposed ends of brackets in lower horizontal. Tighten set screws to secure.
- 4) Slide exposed ends of installed brackets of upper horizontal into open ends of verticals. Tighten set screws to secure.

Disassembly

- 1) Loosen set screws on brackets and slide extrusions off of brackets.

Corner Connection

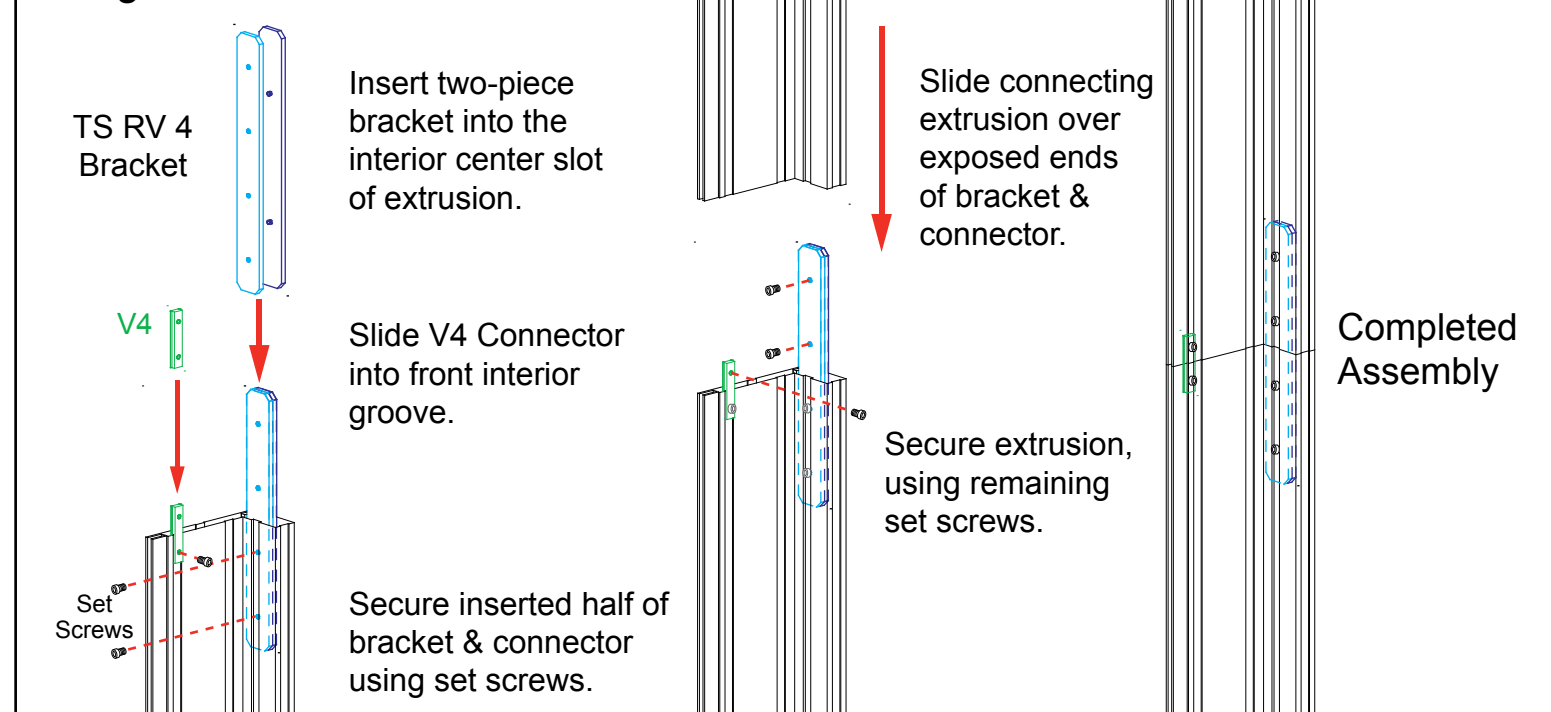


Straight Bracket Assembly

- 1) Slide TWO-PIECE **TS RV 4** straight bracket into Interior Center Slot of extrusion, so that two of the set screws are inside groove. Tighten two set screws to secure.
- 2) Slide one **V4 Connector** into outer interior groove of extrusion, so that one set screw is inside groove. Tighten set screw.
- 3) Slide connecting extrusion over exposed ends of bracket & connector. Tighten all remaining set screws to secure extrusions.



Straight Connection

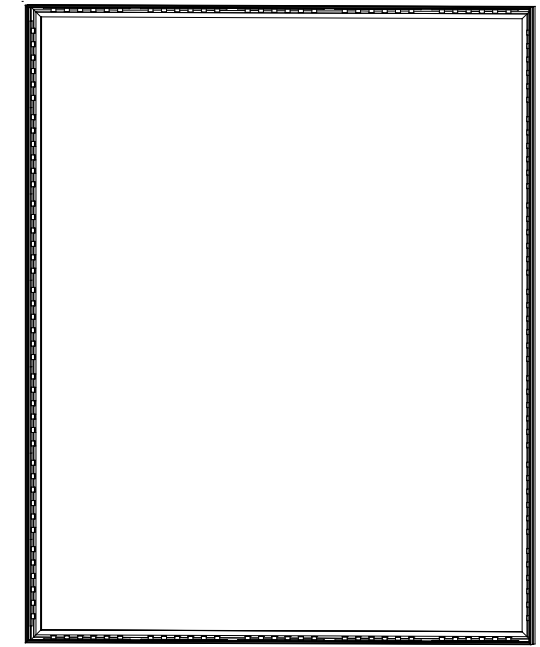
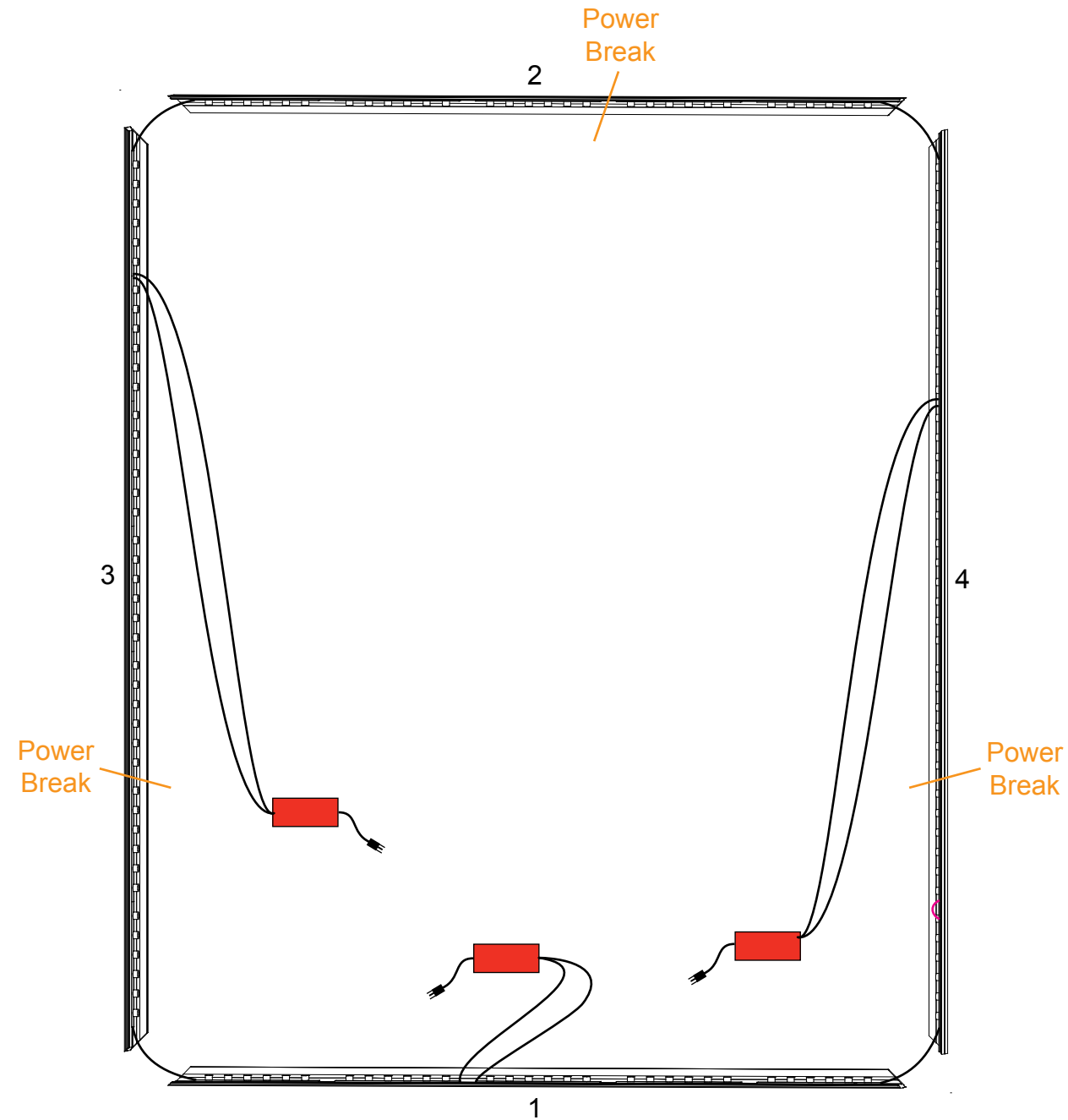
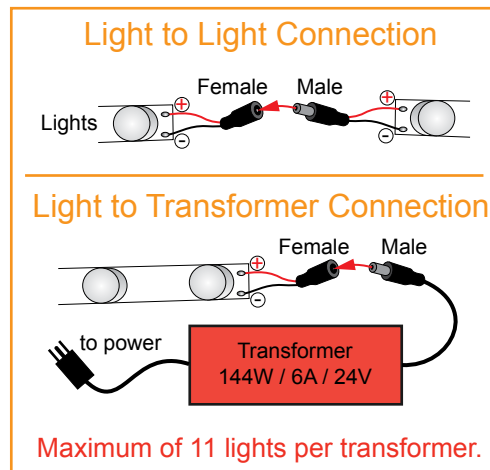


Item	Qty.	Description
1	1	76" CEI110 Horizontal Extrusion
2	1	76" CEI110 Horizontal Extrusion
3	1	95" CEI110 Vertical Extrusion
4	1	95" CEI110 Vertical Extrusion

Steps:

- 1) Assemble extrusions flat on floor.
See CEI152 Frame Assembly sheet.
- 2) Connect light cords and attach transformers.
See [Light to Light Connection](#) and [Light to Transformer Connection](#) details.

Keep A1 brackets attached to extrusions [1] and [2].

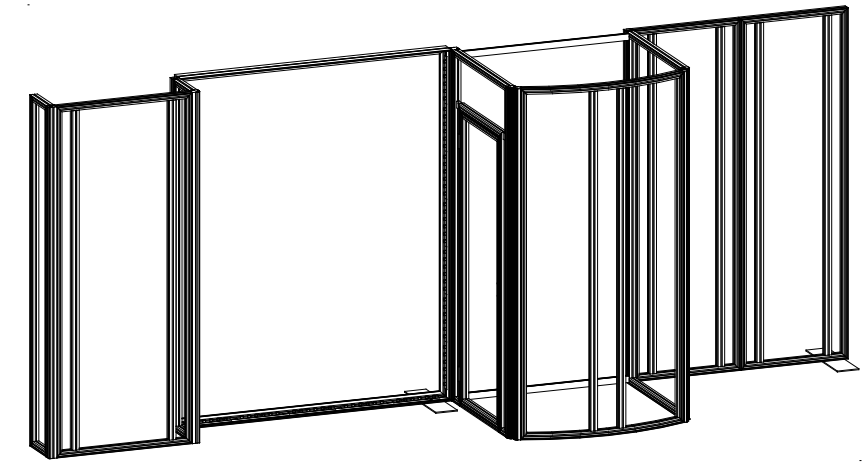


Completed Assembly

Item	Qty.	Description
5,5A	1,1	Base Plate
6	2	47.307" Z45 Horizontal Extrusion
1	1	11.5"w x 95"h Gravitee Panel
2	1	94.5" Gravitee Corner Connector w/ Caps
3	1	38"w x 95"h Gravitee Panel w/ (2) 91.904" S44
4	1	94.5" Gravitee Corner Connector w/ Caps
5	1	11.5"w x 95"h Gravitee Panel
6	1	95" Gravitee Corner Connector
7	1	95" Gravitee Corner Connector
8	1	95" Gravitee Corner Connector
9	1	30"w x 95"h Gravitee Panel w/ (2) 91.904" S44
10	1	30"w x 95"h Gravitee Panel w/ (2) 91.904" S44
11	1	38"w x 95"h Gravitee Panel w/ Door
12	1	95" Gravitee Hinged Corner Connector
13	1	47.123"w x 95"h Gravitee Curved Panel w/ (2) 91.904" S44
14	1	95" Gravitee Hinged Corner Connector
15	1	94.5"h Gravitee Corner Connector

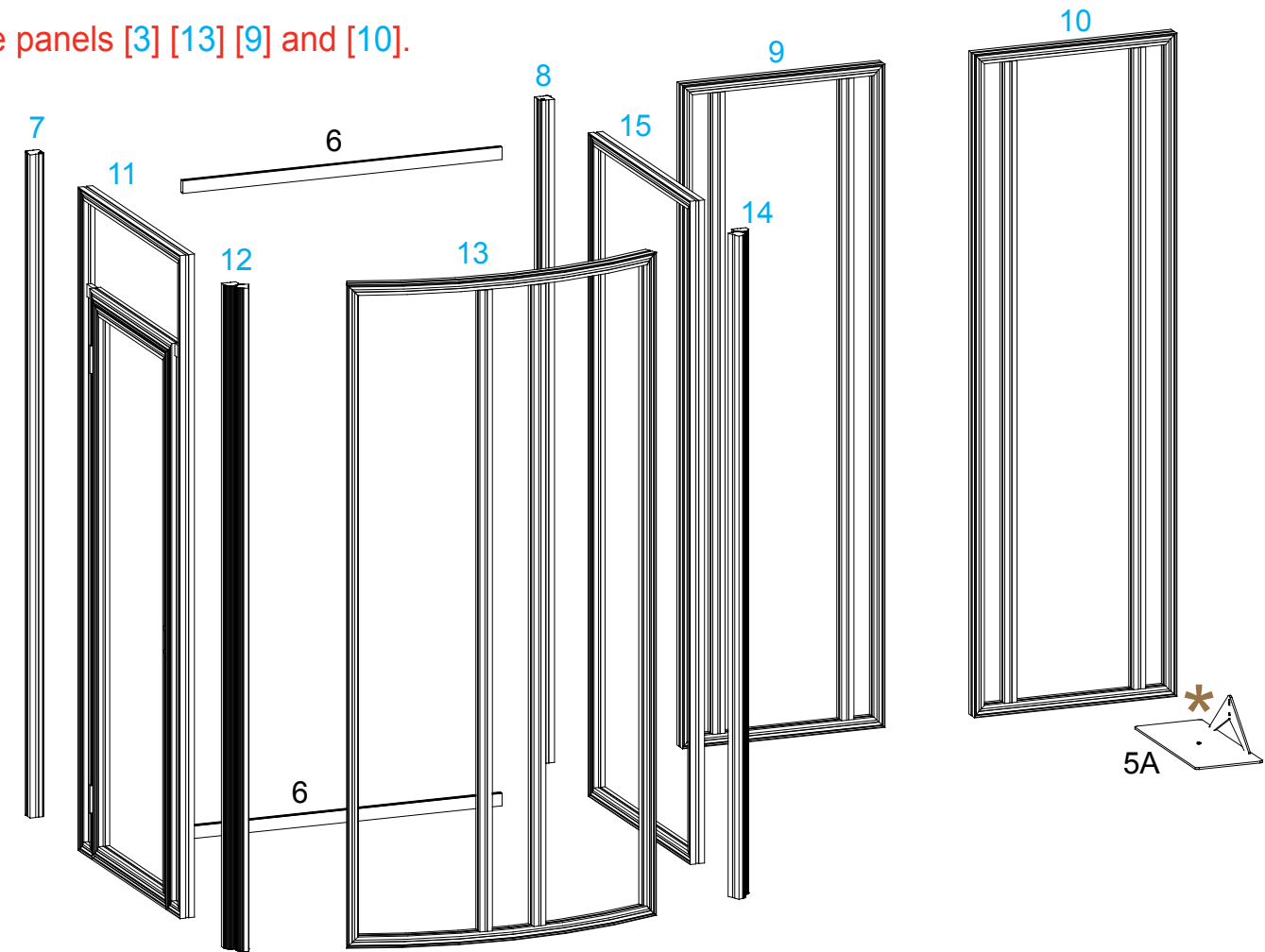
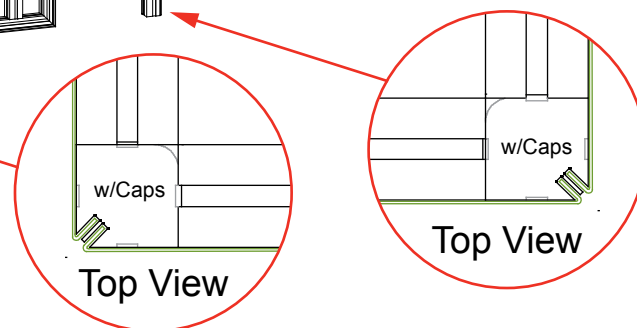
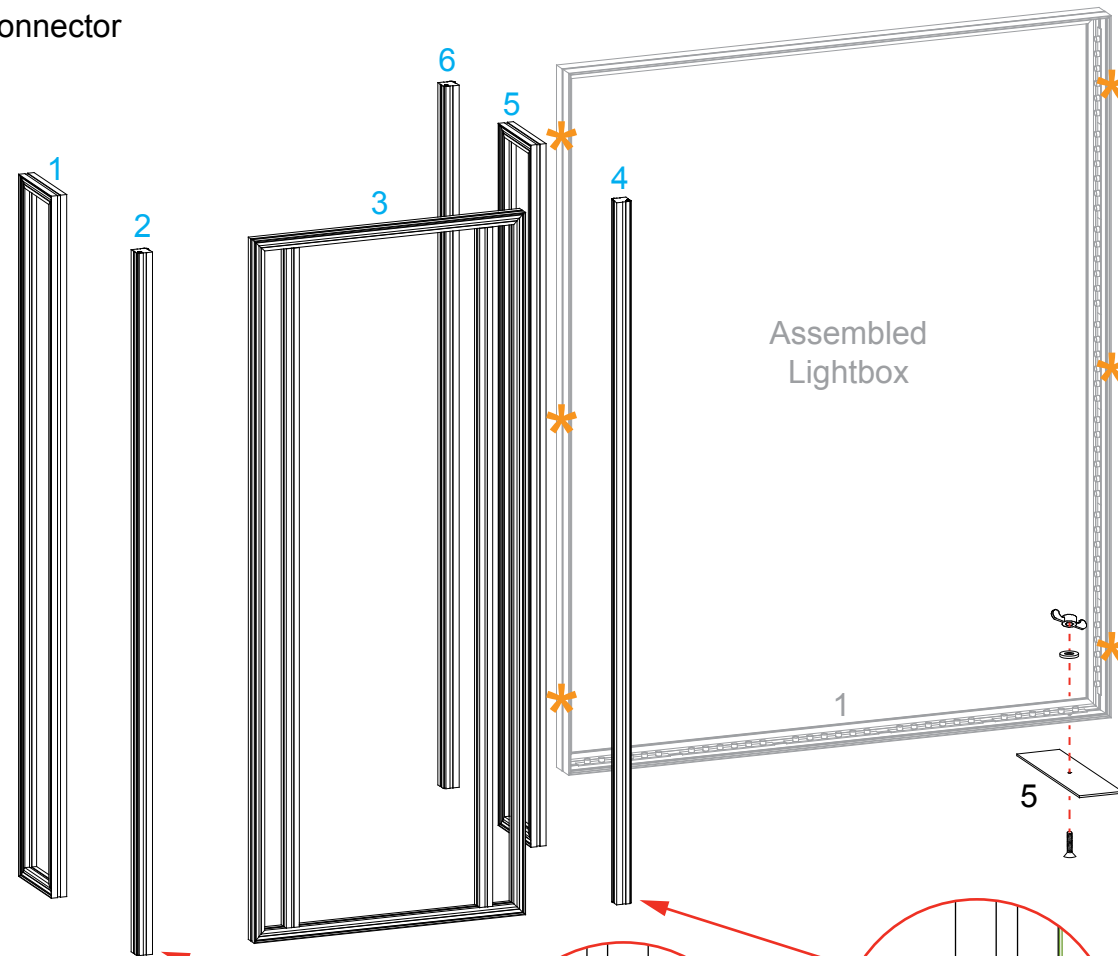
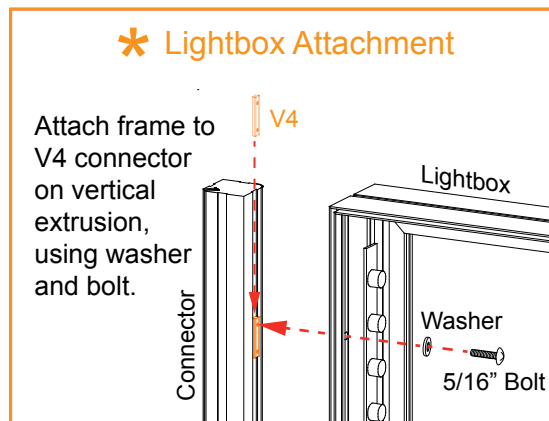
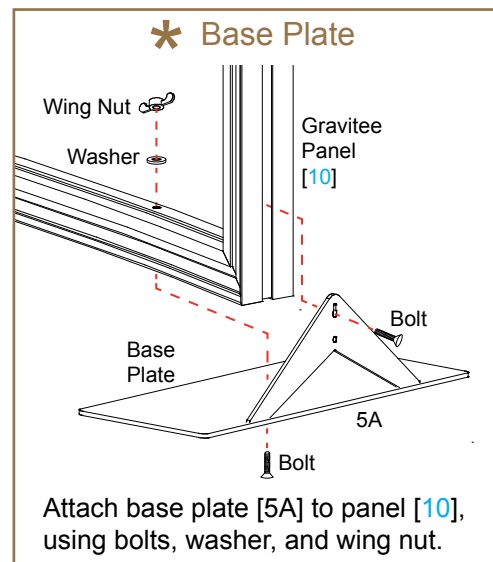
Steps:

- 1) Attach base plate [5] to horizontal [1], using bolts, washers, and wing nuts.
- 2) Attach base plate [5A] to panel [10]. See **Base Plate** detail.
- 3) Assemble panels & connectors in numerical order, as shown. See Gravitee Assembly Instruction sheet for details.
- 4) Attach horizontals [6] between connectors [7] and [8], as shown.
- 5) Attach assembled lightbox between connectors [6] and [7]. See **Lightbox Attachment** detail.
- 6) Install SEG graphic to assembled panels. See General Information sheet for **SEG Graphic Installation** instruction.



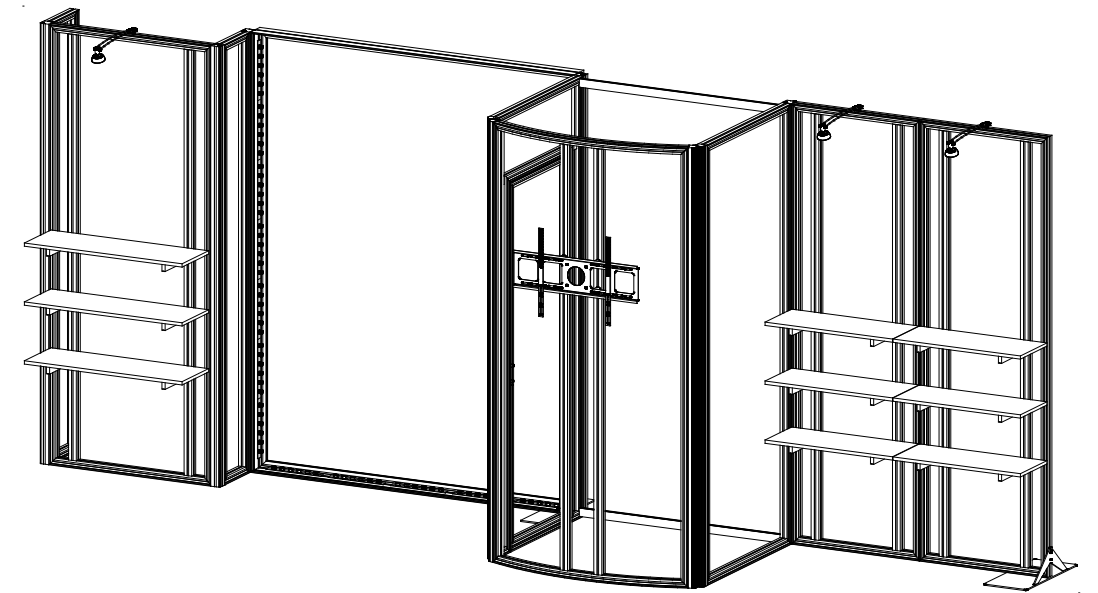
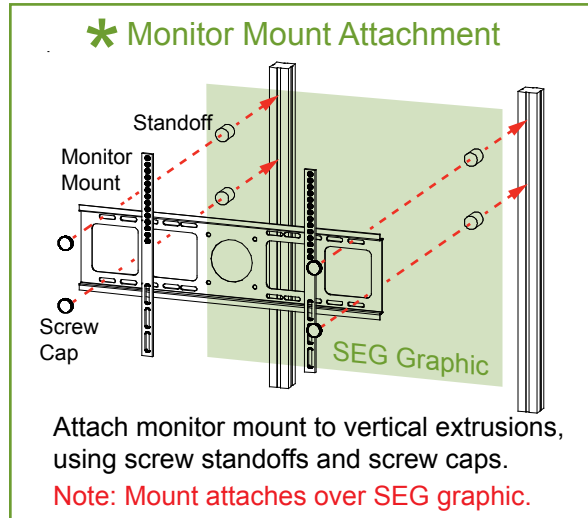
Completed Assembly

Keep S44 verticals attached to Gravitee panels [3] [13] [9] and [10].

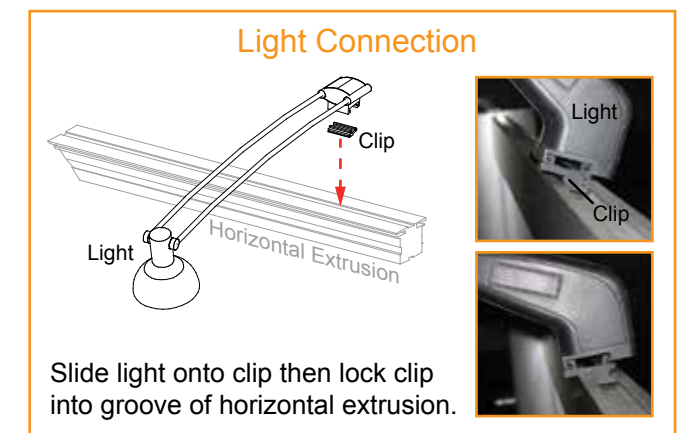
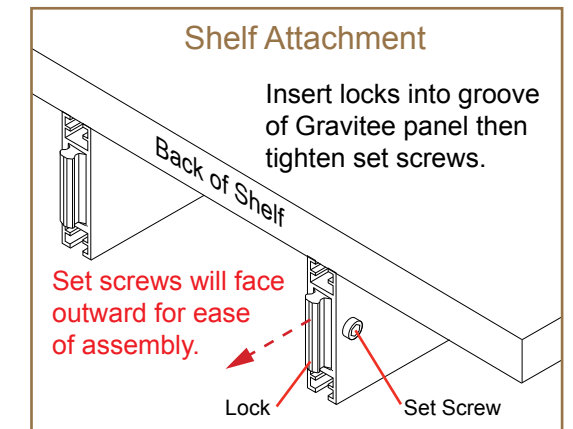
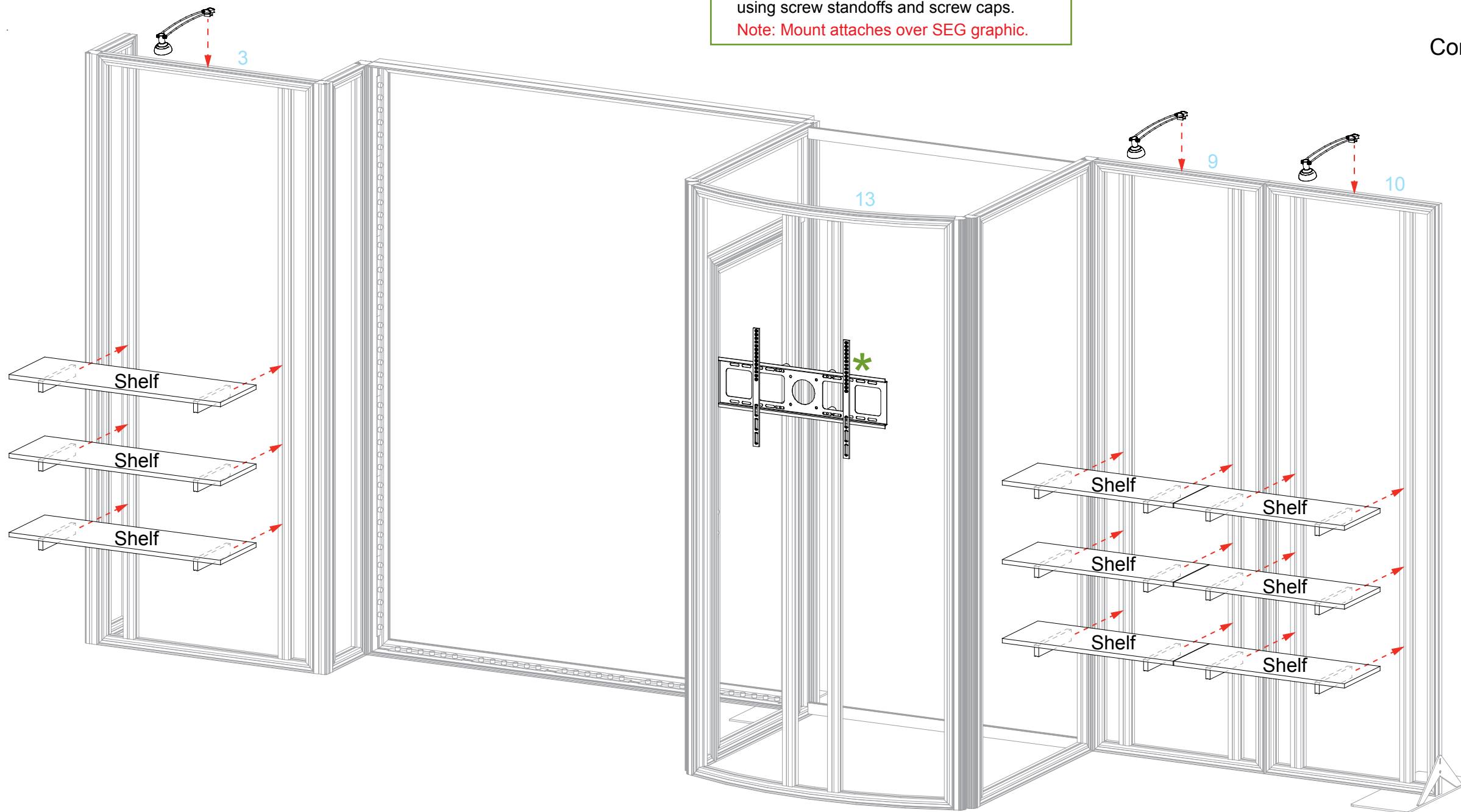


Steps:

- 1) Connect lights to top of panels [3] [9] and [10]. See **Light Connection** detail.
- 2) Attach shelves to panels [3] [9] and [10]. See **Shelf Attachment** detail.
- 3) Attach monitor mount to panel [13]. See **Monitor Mount Attachment** detail.



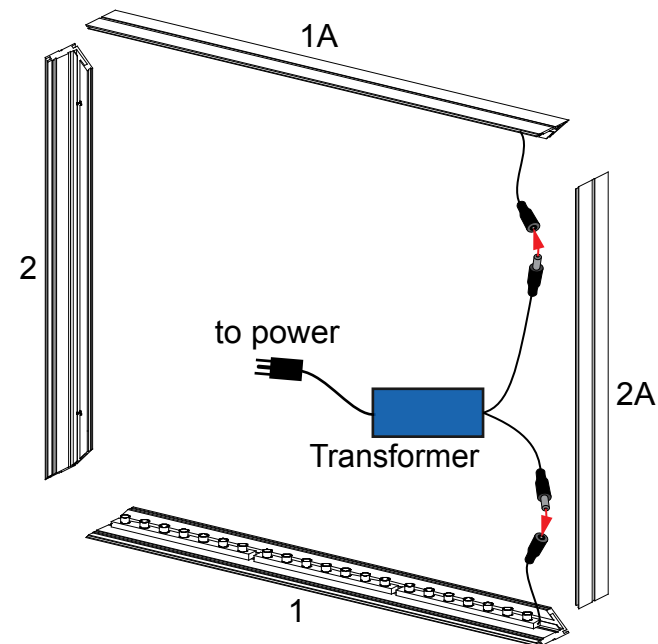
Completed Assembly



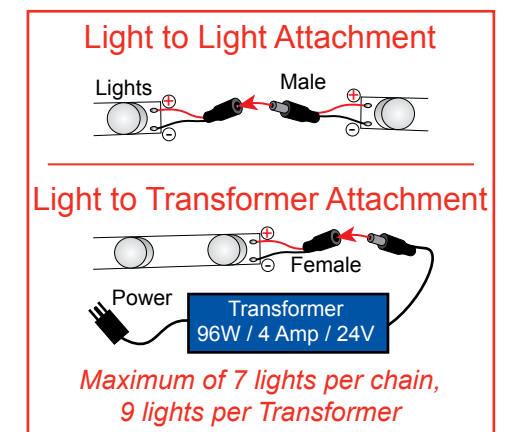
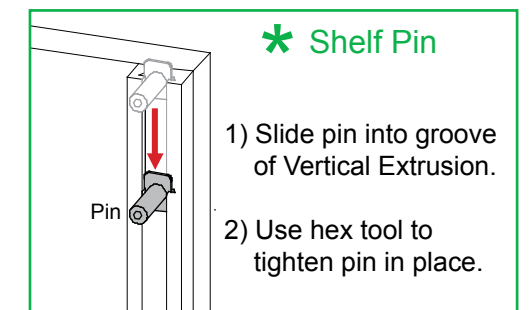
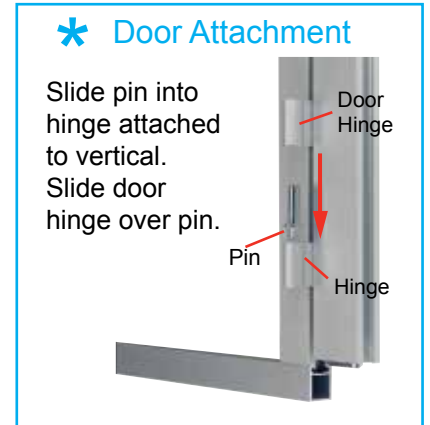
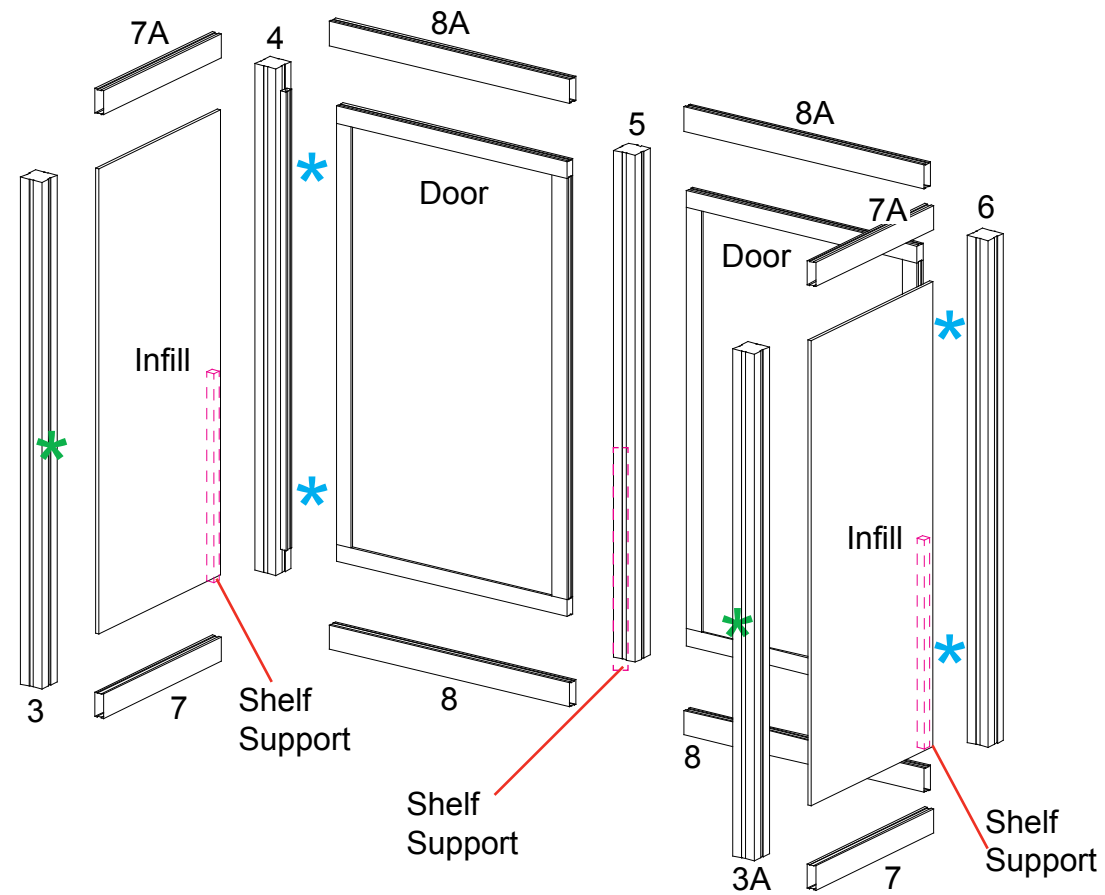
Item	Qty.	Description
1/1A	1/1	46.25" CEI-110 Horizontal Extrusion
2/2A	1/1	37.5" CEI-110 Vertical Extrusion
3/3A	1/1	37.5" S44 Vertical Extrusion
4	1	37.5" S44 Vertical Extrusion w/Door Hinges
5	1	37.5" S44 Vertical Extrusion w/Door Stops
6	1	37.5" S44 Vertical Extrusion w/Door Hinges
7/7A	2/2	14.153" Z45 Horizontal Extrusion
8/8A	2/2	20.408" Z45 Horizontal Extrusion

Steps:

- 1) Assemble frame extrusions [1, 1A, 2, 2A]. See CEI-110 Frame Assembly sheet.
- 2) Connect lights and transformer. See [Light to Light Connection](#) and [Light to Transformer Connection](#) details.
- 3) Attach horizontal extrusions [7] & [8] between vertical extrusions [3, 3A, 4, 5, 6].
- 4) Slide infills between vertical extrusions [3, 4] & [3A, 6].
- 5) Connect doors between vertical extrusions [4, 5] & [5, 6]. See [Door Connection](#) detail.
- 6) Attach horizontal extrusions [7A] & [8A] between vertical extrusions [3, 3A, 4, 5, 6] and on top of infills and doors.
- 7) Connect shelf supports to Velcro on inside of infills and insert pins to vertical extrusions [3] [3A] & [5]. See [Shelf Pin](#) detail.

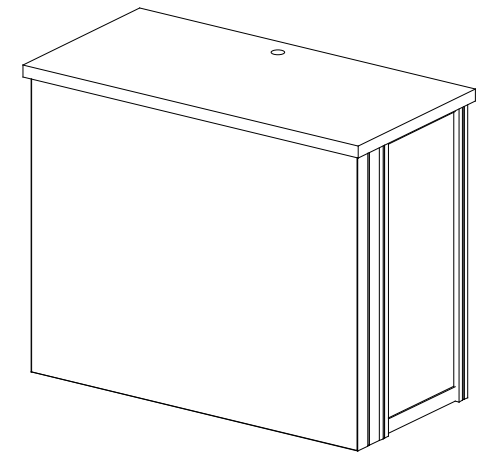
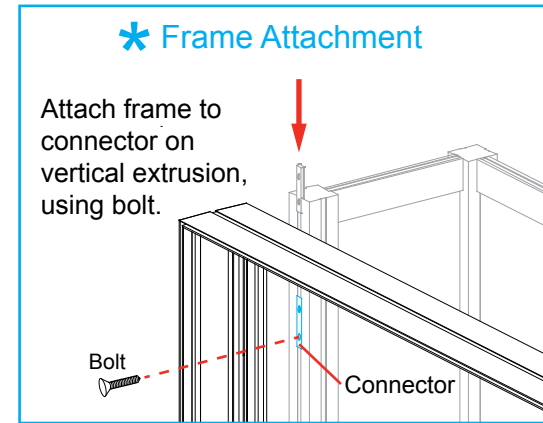
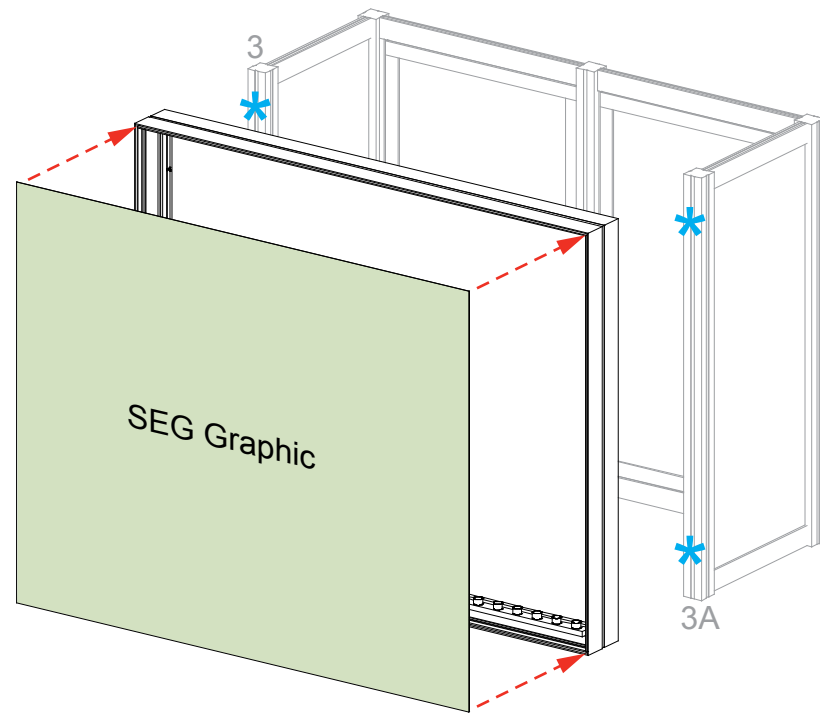
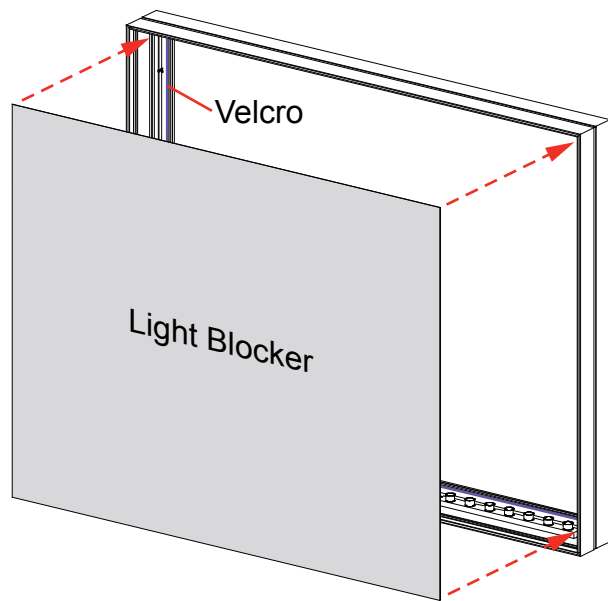


CEI-110 Frame Assembly

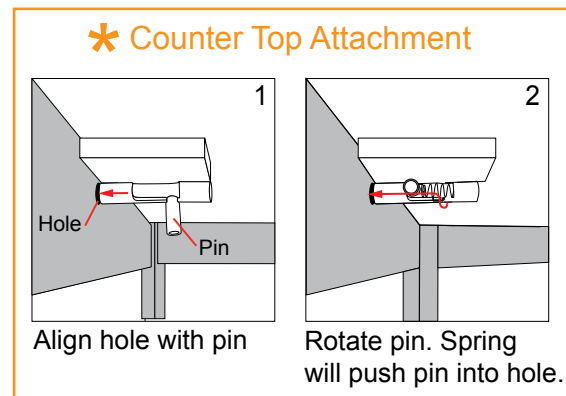
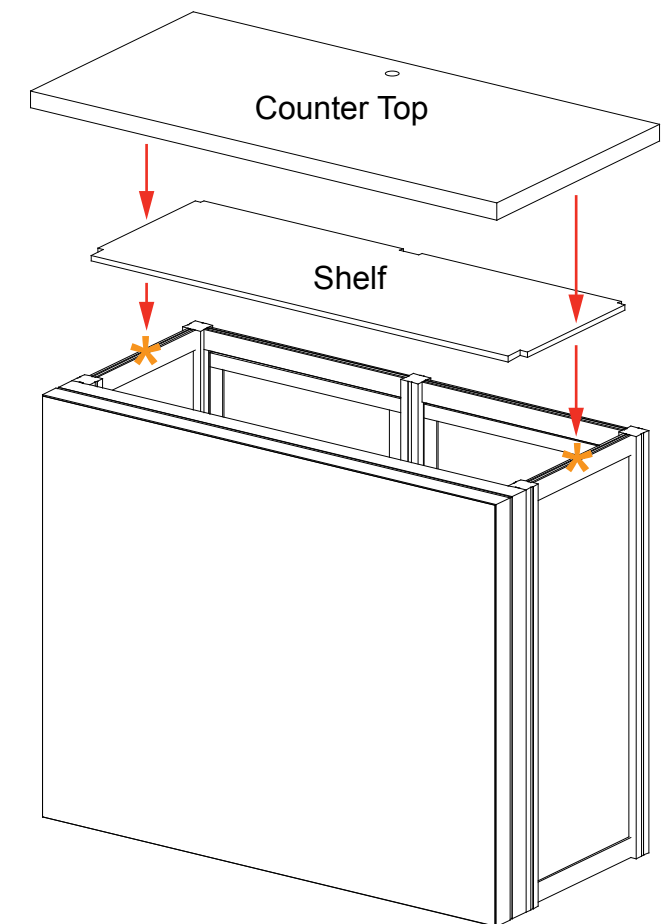


Steps:

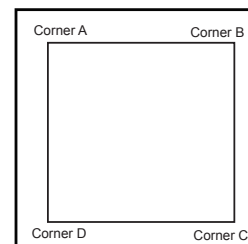
- 1) Connect light blocker to Velcro on interior of assembled frame.
- 2) Attach assembled frame to verticals [3] and [3A].
See [Frame Attachment](#) detail.
- 3) Install SEG graphic to front of assembled frame.
See [SEG Graphic Installation](#) detail.
- 4) Place shelf inside assembled base on top of pins and supports.
- 5) Place counter top on assembled base, then secure with pins.
See [Counter Top Attachment](#) detail.



Completed Assembly



SEG Graphic Installation



It is important to first insert graphic into each alternate corner then to the sides of the frame. If this is not done, graphic will not fit into the frame correctly.



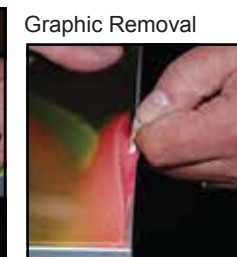
Step 1
Insert corner A. Turn edge of graphic so silicon welt is perpendicular to face of graphic. Insert narrow side of welt with fabric to outside into the channel. Repeat for other side of this corner.



Step 2
Repeat Step 1 for opposite corner C, then insert corner B, followed by corner D, to complete the installation of the corners.



Step 3
Once all corners are inserted, press one silicon edge into channel from corners and work toward the center. Make sure welt is fully inserted into channel. Continue until all sides are done. Smooth out edges of graphic.



Graphic Removal
To remove the graphic from the frame, locate the fabric pull tab. Gently pull up on the tab to remove the fabric.